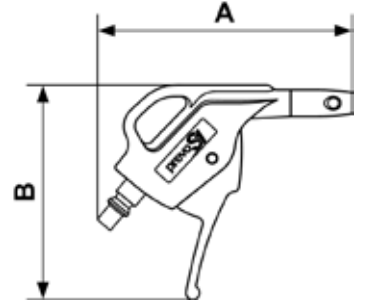


## PREVOS1 BLOW GUNS ON CLIP - ARO 210 PROFILE - 1/4



prevoS1 blow gun with OSHA nozzle

Profile : ARO 210



<b>Blowing force</b>	<b>Dynamic pressure</b>	<b>Max. operating pressure</b>	<b>ID passage</b>
9 OZF	14.5 psi	174 psi	1/4"

Part number	Flow rate at 87 psi (CFM)	Sound level (dBA)	Length (ft)	ID passage (inch)	Net weight (Kg)	Dim. A (inch)	Dim. B (inch)
ABG 06OSHP	8	87	0.164	1/4"	0,075	4.53	3.82